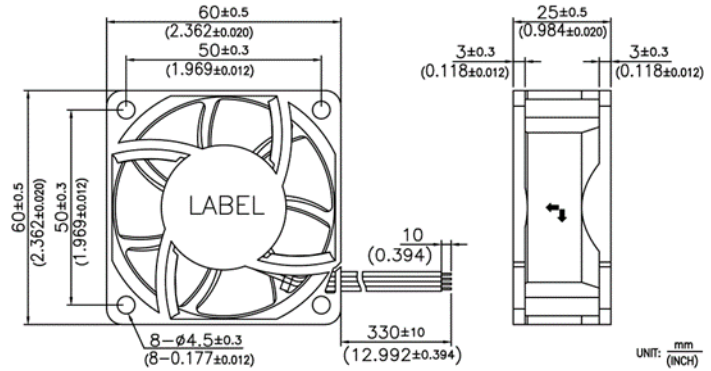
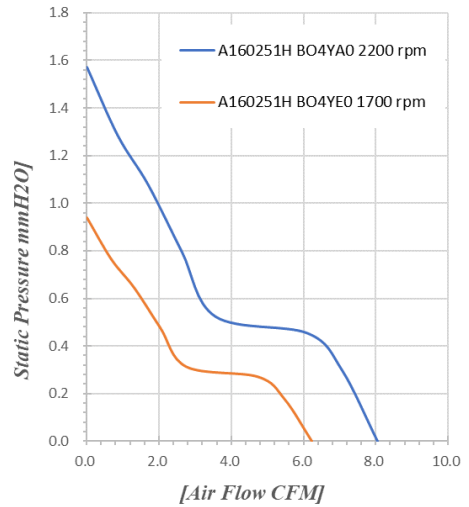


iCar Low Noise Fan 60*60*25 MM

High Operating Temp. AECQ Series



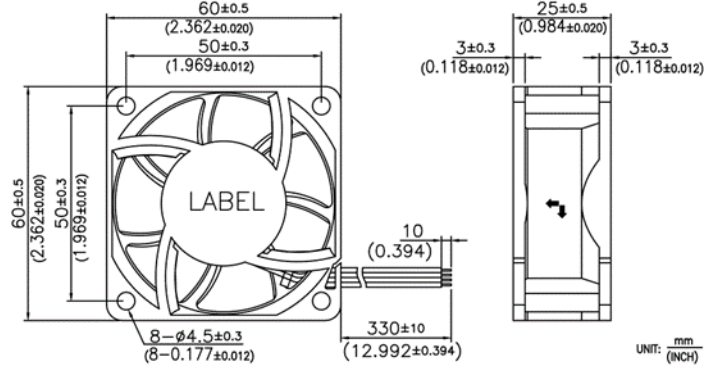
Housing : Plastic (UL 94V-0)
 Impeller : Plastic (UL 94V-0)
 Bearing : Ball bearing
 Operating temp : -20 ~ 105°C
 Mass : 92.5g



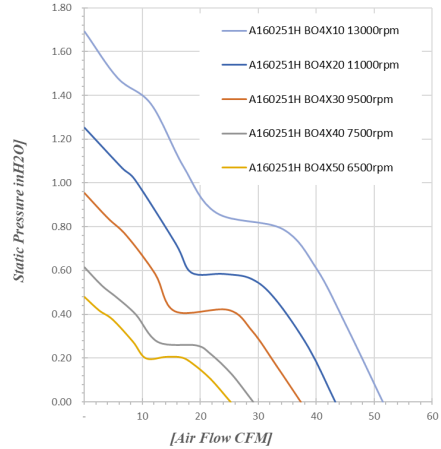
Product Type	Model No.		Control Type	Bearing Type	Rated Voltage	Operating Voltage Range	Operating Temp.	Speed	Input Current	Input Power	Maximum Air Flow		Maximum Air Pressure		Noise @100CM
					VDC	VDC	°C	R.P.M	Amp	Watt	CFM	m ³ /min	inH2O	mmH2O	dB(A)
6025 12V 静音恆速 105°C 系列	A160251H	BO4YA0	+/-/FG/PWM	BALL	12	8~16	-20~105	2200	0.022	0.27	8.06	0.23	0.06	1.57	17.0
	A160251H	BO4YE0	+/-/FG/PWM	BALL	12	8~16	-20~105	1700	0.013	0.16	6.23	0.18	0.04	0.94	11.4
6025 12V 静音恆速 105°C AECQ 系列	A160251H	BO4UA0	+/-/FG/PWM	BALL	12	8~16	-20~105	2200	0.022	0.27	8.06	0.23	0.06	1.57	17.0
	A160251H	BO4UE0	+/-/FG/PWM	BALL	12	8~16	-20~105	1700	0.013	0.16	6.23	0.18	0.04	0.94	11.4

iCar Fan 60*60*25 MM

High Operating Temp. Series



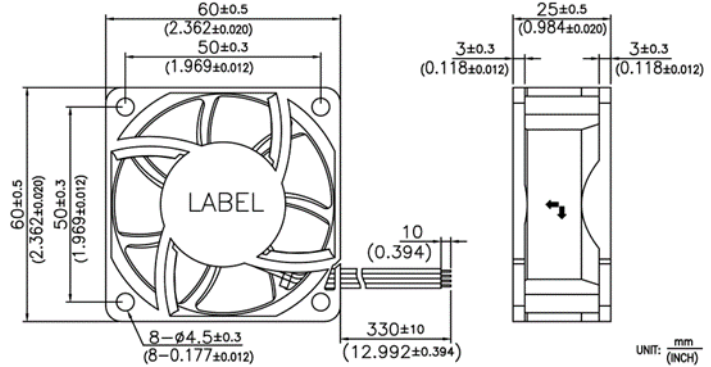
Housing : Plastic (UL 94V-0)
 Impeller : Plastic (UL 94V-0)
 Bearing : Ball bearing
 Operating temp : -40 ~ 95°C / 105°C
 Mass : 92.5g



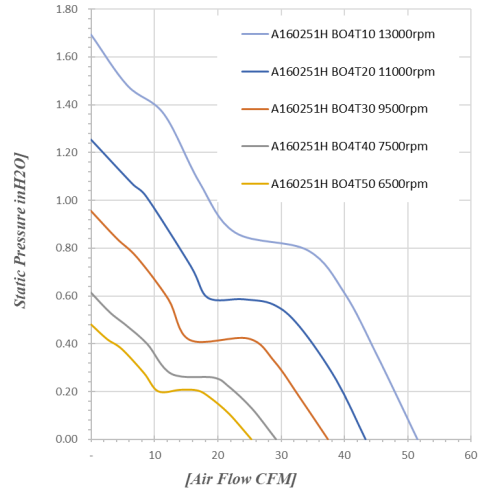
Product Type	Model No.		Control Type	Bearing Type	Rated Voltage	Operating Voltage Range	Operating Temp.	Speed	Input Current	Input Power	Maximum Air Flow		Maximum Air Pressure		Noise
					VDC	VDC	°C	R.P.M.	Amp	Watt	CFM	m ³ /min	inH2O	mmH2O	dB(A)
6025 12V 95°C 高轉速系列	A160251H	BO4X10	+/-FG/PWM	Ball	12	6~13.8	-40~95	13000	0.99	11.8	53.1	1.5	1.7	43.2	55.8
	A160251H	BO4X20	+/-FG/PWM	Ball	12	6~13.8	-40~95	11000	0.57	6.8	43.2	1.2	1.22	30.9	52.7
	A160251H	BO4X30	+/-FG/PWM	Ball	12	6~13.8	-40~95	9500	0.46	5.5	37.7	1.1	0.98	24.9	48.6
6025 12V 95°C 中轉速系列	A160251H	BO4X40	+/-FG/PWM	Ball	12	6~13.8	-40~95	7500	0.23	2.7	29.1	0.8	0.61	15.6	43.6
	A160251H	BO4X50	+/-FG/PWM	Ball	12	6~13.8	-40~95	6500	0.15	1.8	25.9	0.7	0.46	11.7	38.9
6025 12V 105°C 高轉速系列	A160251H	BO4Y10	+/-FG/PWM	Ball	12	6~13.8	-40~105	13000	0.99	11.8	53.1	1.5	1.7	43.2	55.8
	A160251H	BO4Y20	+/-FG/PWM	Ball	12	6~13.8	-40~105	11000	0.57	6.8	43.2	1.2	1.22	30.9	52.7
	A160251H	BO4Y30	+/-FG/PWM	Ball	12	6~13.8	-40~105	9500	0.46	5.5	37.7	1.1	0.98	24.9	48.6
6025 12V 105°C 中轉速系列	A160251H	BO4Y40	+/-FG/PWM	Ball	12	6~13.8	-40~105	7500	0.23	2.7	29.1	0.8	0.61	15.6	43.6
	A160251H	BO4Y50	+/-FG/PWM	Ball	12	6~13.8	-40~105	6500	0.15	1.8	25.9	0.7	0.46	11.7	38.9

iCar Fan 60*60*25 MM

AECQ Series



Housing : Plastic (UL 94V-0)
 Impeller : Plastic (UL 94V-0)
 Bearing : Ball bearing
 Operating temp : -40 ~ 95°C / 105°C
 Mass : 92.5g



Product Type	Model No.		Control Type	Bearing Type	Rated Voltage	Operating Voltage Range	Operating Temp.	Speed	Input Current	Input Power	Maximum Air Flow		Maximum Air Pressure		Noise
					VDC	VDC	°C	R.P.M	Amp	Watt	CFM	m ³ /min	inH2O	mmH2O	
6025 12V 95°C -AECQ 高轉速系列	A160251H	BO4T10	+/-FG/PWM	Ball	12	8~16	-40~95	13000	0.99	11.8	53.1	1.5	1.7	43.2	55.8
	A160251H	BO4T20	+/-FG/PWM	Ball	12	8~16	-40~95	11000	0.57	6.8	43.2	1.2	1.22	30.9	52.7
	A160251H	BO4T30	+/-FG/PWM	Ball	12	8~16	-40~95	9500	0.46	5.5	37.7	1.1	0.98	24.9	48.6
6025 12V 95°C -AECQ 中轉速系列	A160251H	BO4T40	+/-FG/PWM	Ball	12	8~16	-40~95	7500	0.23	2.7	29.1	0.8	0.61	15.6	43.6
	A160251H	BO4T50	+/-FG/PWM	Ball	12	8~16	-40~95	6500	0.15	1.8	25.9	0.7	0.46	11.7	38.9
6025 12V 105°C -AECQ 高轉速系列	A160251H	BO4U10	+/-FG/PWM	Ball	12	8~16	-40~105	13000	0.99	11.8	53.1	1.5	1.7	43.2	55.8
	A160251H	BO4U20	+/-FG/PWM	Ball	12	8~16	-40~105	11000	0.57	6.8	43.2	1.2	1.22	30.9	52.7
	A160251H	BO4U30	+/-FG/PWM	Ball	12	8~16	-40~105	9500	0.46	5.5	37.7	1.1	0.98	24.9	48.6
6025 12V 105°C -AECQ 中轉速系列	A160251H	BO4U40	+/-FG/PWM	Ball	12	8~16	-40~105	7500	0.23	2.7	29.1	0.8	0.61	15.6	43.6
	A160251H	BO4U50	+/-FG/PWM	Ball	12	8~16	-40~105	6500	0.15	1.8	25.9	0.7	0.46	11.7	38.9